

HA1388

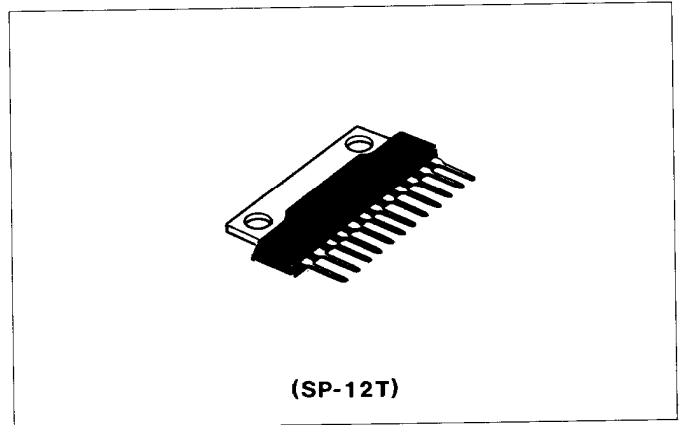
18W BTL Audio Power Amplifier

The HA1388 is specifically designed for Components Car Stereo Amplifiers.

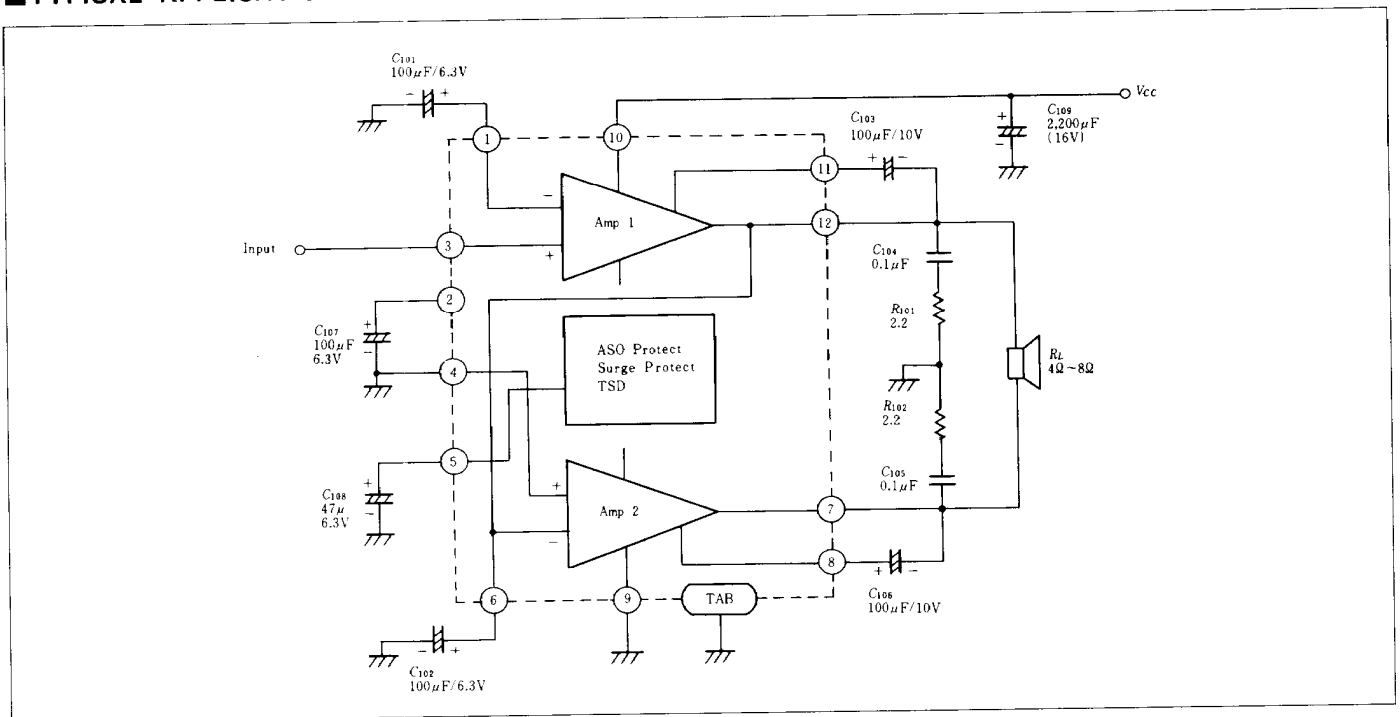
This power IC provides an output power of 18 watts at 13.2 volts to 4 ohm load with 10 percent distortion and can be used without output capacitors because of the excellent ASO protection circuit.

FEATURES

- Can be used as OCL.
- Over voltage handling capability up to 50 volts for 200ms pulse duration.
- Less number of external components.
- Thermal shutdown circuit included.



TYPICAL APPLICATION



ABSOLUTE MAXIMUM RATINGS ($T_a = 25^\circ\text{C}$)

Item	Symbol	Rating	Unit	Note
Operating Supply Voltage	V_{CC}	18	V	
DC Supply Voltage	$V_{CC(DC)}$	26	V	1
Peak Supply Voltage	$V_{CC(peak)}$	50	V	2
Output Current	$I_{O(peak)}$	4	A	
Power Dissipation	P_T	15	W	
Thermal Resistance (Junction-Case)	θ_{j-c}	3	$^\circ\text{C}/\text{W}$	
Junction Temperature	T_j	150	$^\circ\text{C}$	
Operating Temperature	T_{opr}	-20 to +70	$^\circ\text{C}$	
Storage Temperature	T_{stg}	-55 to +125	$^\circ\text{C}$	

Notes. 1. Value at 30sec. 2. Pulse width \leq 200ms, Rise time \geq 1ms.