

APPLICATION CIRCUIT

1. Stereo Amplifier

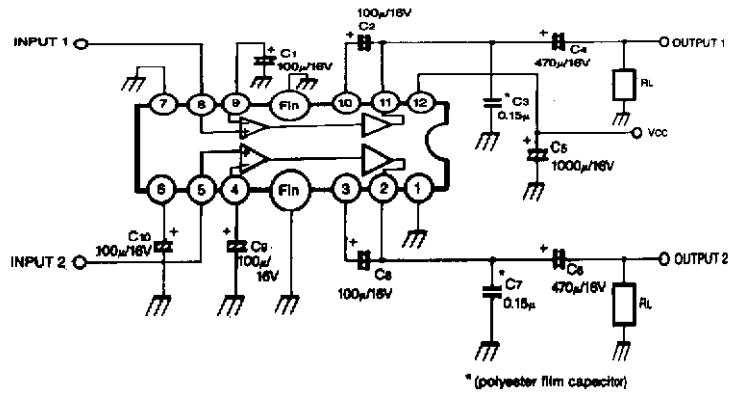


Fig. 2

2. Bridge Amplifier

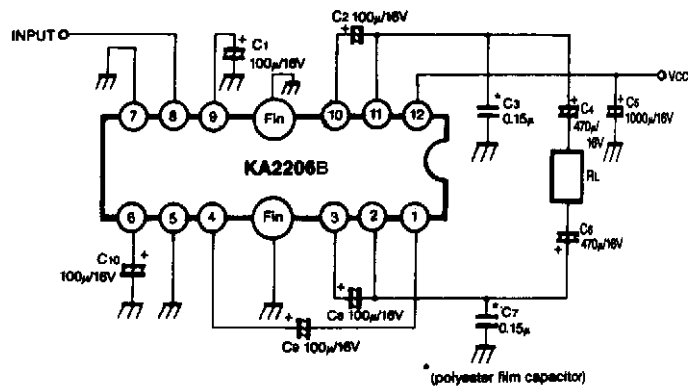


Fig. 3